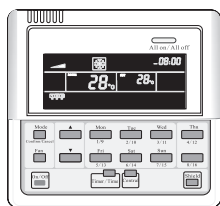
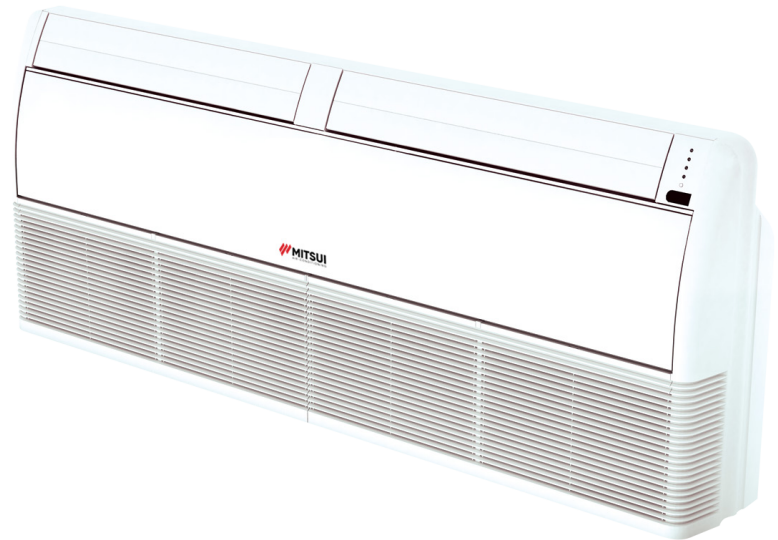
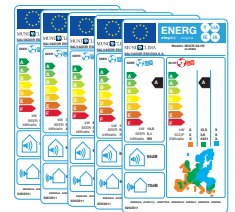


- 3-D air outlet design.
- Easy replacement of motor and fan blades thanks to redesign clamp for block propeller design.
- Special swing angle design in the modes of cooling and heating for higher comfort.
- Wireless remote control.
- Wall control (optional).
- Only 2 interconnection wires.


 Optional
 CL 98 047

SUPER DC
INVERTER

3D DC inverter
 DC fan motor indoor
 DC fan motor outdoor
 30% efficiency increased

2C Comfortable
 Convenient

2E Efficiency
 Energy-saving

8°C heating control

Maintain the room temperature steadily at 8°C and prevent the room from freezing by heating operation when nobody is at home for long in severe weather.


2 ambient sensor

Indoor ambient temperature can be sensed more accurately.


3 sleep modes

Common, Default, User-defined

Mode 1: Indoor temperature automatically rises (when cooling) or drops (when heating).

Mode 2: Featuring unique function, the temperature is automatically adjusted to be a little lower before you wake up.

Mode 3: You could program your own sleep curve under DIY mode.

Smart zone controller

Possibility to control several units simultaneously from only one remote controller. The smart zone controller can directly control up to 16 indoor units (optional)


7 fan speeds

From Super low to Turbo, choose desired fan speed.


Turbo Operation

With this function, the air conditioner will maximize the output of cooling or heating capacity, make the room cool down or heat up rapidly, and attain the desired temperature in the shortest time.


Low Ambient Cooling

The air conditioner with a special built-in Low Ambient Kit can be used in temperature as low as -15°C for cooling and heating operation.


Memory /Auto-restart function

If the air conditioner breaks off unexpectedly due to the power cut, it will restart with the previous function setting automatically when the power resumes.


Low temperature dehumidity

It works under the dehumidification mode even if the temperature is lower than 12°C


Filter "DustProof"

Eliminate formaldehyde and other volatile organic compounds (VOCs) as well as harmful gases and odors.


Gate card system

Available at a preset port in PCB for the gate card system to be set and connected to this port and work with this function.


2 Wired controllers for 1 unit

Wall or remote control (optional)


0.33W Standby

Intelligent on-off technology enables products automatically enter energy-saving mode when standby, cut energy consumption from normal 4-5W to 0.33W which counts 90% of Memory / Auto-restart saving.


Timer function

The timer can be set to start and stop at any point in a 24-hour period.


Trouble shooting

Error codes are displayed in the indoor panel and wall control.


High efficiency digital PFC control

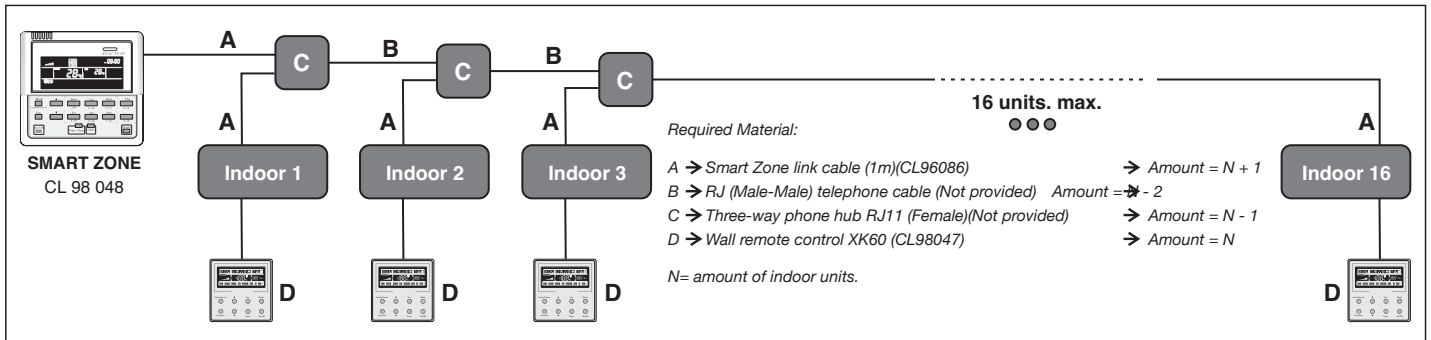
1% efficiency increased


180°C Sine wave inverter technology

Energy saving

MODEL		MBCCL18	MBCCL24	MBCCL36	MBCCL48
Cooling capacity	Btu/Hr	18000	24000	36000	48000
Cool - Pdesignc	kW	5.3	7.0	10.5	14.0
Cool - SEER	W/W	6.1	6.1	6.1	6.1
Cool - Energy Efficiency Class		A++	A++	A++	A++
Input	W	1035	1745	3010	4270
Rated Current	A	7.32	8.65	13.50	12.00
Heating capacity	Btu/Hr	19000	2400	38000	56000
Heat - Pdesignh	kW	5.0	5.6	10.8	11.6
Heat - SCOP	W/W	5.1	5.1	5.1	5.1
Heat - Energy Efficiency Class		A+++	A+++	A+++	A+++
Power supply Id	V-Ph-Hz	220~240-1-50	220~240-1-50	220~240-1-50	220~240-1-50
Power supply Od	V-Ph-Hz	220~240-1-50	220~240-1-50	220~240-1-50	380~415-3-50
Standby rating	W	1.0	1.0	1.0	1.0
INDOOR UNIT					
Air flow volume	m3/h	900/800/700	1180/1050/850	1850/1650/1450	2100/1800/1400
Noise pres. Level	dB(A)	44/39/34	53/48/42	56/53/50	56/48/41
Dimension (WxDxH)	mm	1068x675x235	1068x675x235	1650x675x235	1650x675x235
Net weight	Kg	25.8	25.0	40.3	38.2
Drain Pipe Dia	mm	ODΦ25	ODΦ25	ODΦ25	ODΦ25
OUTDOOR UNIT					
Air Flow volume	m3/h	2200.0	2700.0	5000.0	7000.0
Noise pres. level	dB(A)	53.0	63.0	63.0	66.0
Dimension (WxDxH)	mm	810x310x558	845x320x700	945x395x810	938x392x1369
Net weight	Kg	38.0	48.0	69.3	97.1
Outer Diameter Connection Pipe	mm	Φ6.35/Φ12.7	Φ9.52/Φ15.9	Φ9.52/Φ15.9	Φ9.52/Φ15.9
	inch	1/4"/1/2"	3/8"/5/8"	3/8"/5/8"	3/8"/5/8"
Refrigerant	Type	R410A	R410A	R410A	R410A
Refrig. Charge	Kg	1.83	1.95	3.65	3.80

* The above design and specifications are subject to change of product improvement without prior notice.



DATA PRE-INSTALLATION

MODEL	Unit	Supply			Interconnect.
		Phases	Indoor A	Outdoor B	Control C
MBCCL-18-H3	IND/OUT	SINGLE/SINGLE	3x1	3x1.5	2x0.75
MBCCL-24-H3	IND/OUT	SINGLE/SINGLE	3x1	3x2.5	2x0.75
MBCCL-36-H3	IND/OUT	SINGLE/SINGLE	3x1	3x2.5	2x0.75
MBCCL-48-H3	IND/OUT	SINGLE/SINGLE	3x1	3x6	2x0.75

MAXIMUM HEIGHT OF INSTALLATION (m)

MODEL	Tube		Max. Distance		Additional charge (g/m)	Pre-charge up to (m)
	Gas	Liquid	A	B		
MBCCL-18-H3	1/2	1/4	15	20	30	7.5
MBCCL-24-H3	5/8	3/8	15	30	60	7.5
MBCCL-36-H3	5/8	3/8	30	50	60	7.5
MBCCL-48-H3	5/8	3/8	30	50	60	9.5

